



 **Simulation**

Flight Simulator (FTD)

Train as you Fly

The FTD Tecnobit solution is based on its expertise on simulation design and manufacturing, and leans on (among others) the following rules:

- ✓ Use of quality commercial materials
- ✓ Use of widely disseminated standards
- ✓ Modular and reusable development
- ✓ Consideration of maintenance issues

ACCREDITATION

- FTD LEVEL 2 EASA
- FTD LEVEL 6 FAA



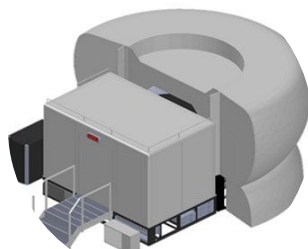
TURN-KEY

Fixed Simulators ready to be operated. Full technology control over Hardware and Software design & production



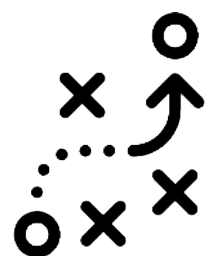
IMMERSIVE

Enclosed IOS station, cockpit and display. Direct or collimated displays. VR and MR systems available

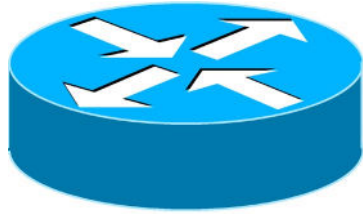


TACTICAL

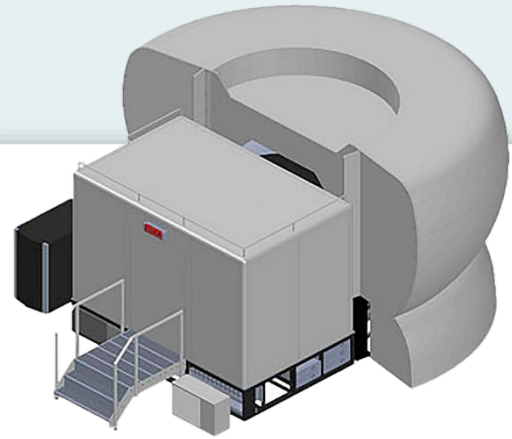
High level graphics details to fit professional training requirements, emulate sensors and generate AI forces.



Flight Training Device (FTD)



Connected simulation



Realistic layout



HLA

Interoperability with other simulators through HLA standard



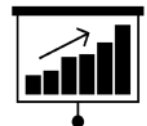
DATABASE

Able to operate over any airport, including non prepared airfields



1:1 REPLICA

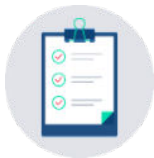
Accurate replica of the cockpit layout, including panels, switches, seats...



Software

Own developments in the area of systems, Flight models, IOS or instrumentation

Instructor station



EVALUATION

Real time monitoring and evaluation. Also for maintenance. EQTG



EXERCISES

Daylight/Nightlight exercises including weather conditions manipulation



tecnobit
grupo oesia

Headquarters:

Calle Marie Curie 19, 4ª planta
28521 Rivas-Vaciamadrid (Madrid), Spain
Telephone: +34 916 617 161 Fax: +34 916 619 840

Factory:

Calle Fudre, 18
13300 Valdepeñas (Ciudad Real), Spain
Telephone: +34 926 347 830 Fax: +34 926 312 896

grupooesia.com

tecnobit.es

producto@oesia.com